

TECHNICAL  
DATASHEET

**FRANNA**<sup>®</sup>  
A TEREX BRAND

# AT24 US

PICK AND CARRY  
CRANE



MAXIMUM CAPACITY  
**24 ton**



MAXIMUM BOOM LENGTH  
**58'8"**



MAXIMUM HOOK HEIGHT  
**55'9"**

[terex.com/franna](https://terex.com/franna)



# OVERVIEW

The AT24 US is a mid-sized, mobile pick and carry crane with a maximum lifting capacity of 24 ton. Boasting maximum safety features and superior capabilities than that of other pick and carry cranes in the field, the AT24 US is a logical choice for customers who cover a wide range of applications.

## ⚙️ KEY FEATURES AND BENEFITS:

- ▶ 24 ton @ 4'7" radius
- ▶ 1.8 ton @ 51'10" radius
- ▶ 55'9" maximum hook height
- ▶ 17.6 ton capacity on 4 part hook block
- ▶ Single line pull 4.4 ton
- ▶ Dynamic LMI (Patent Protected)
- ▶ Wide stance boom lift cylinders enhance operator's vision.
- ▶ Easy access to all key maintenance points
- ▶ Modern cabin design ensures maximum comfort for the operator



# TECHNICAL DESCRIPTION

## 01. Boom

Maximum boom length	58'8"
Maximum hook height	55'9"
Boom elevation angle range	-6° / 60°
Maximum hook height with jib	65'7"
Articulation	40° R / 40° L
Machinery hook (rhino)	11 ton

## 02. Winch

Maximum line pull	4.4 ton
Two speed winch	125 ft/min / 250 ft/min
Hook block (4 part)	17.6 ton maximum rated capacity

## 03. Engine & Transmission

Standard engine	Mercedes OM 934 Tier 4 F
Engine power	228 hp
Engine torque	664 lb-ft
Fuel Type	Diesel
Fuel Capacity	116 gallons
Transmission	Allison 6 speed
Transfer case	ZF 2:1 Ratio

## 04. Hydraulic System

Axial piston pump	3.8 cu.in/rev
Maximum pump flow rate	34 gal/min
Maximum working pressure	3625 psi
Hydraulic tank capacity	52 gallons

## 05. Chassis

Front Axle	17,636 lbs
Rear Axle	26,455 lbs
Axle total	44,091 lbs
Turning circle	24'2"

## 06. Brakes & Suspension

Brake System	Air operated drum brakes
Suspension	Two semi elliptic springs on front and rear axle plus torsion bar on front axle for stability

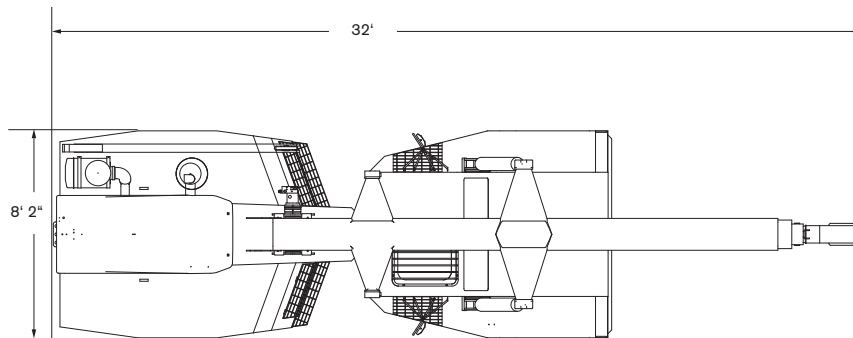
## 07. Vehicle Performance

Maximum rated travel speed	50 mph
Gradeability (smooth concrete)	50%

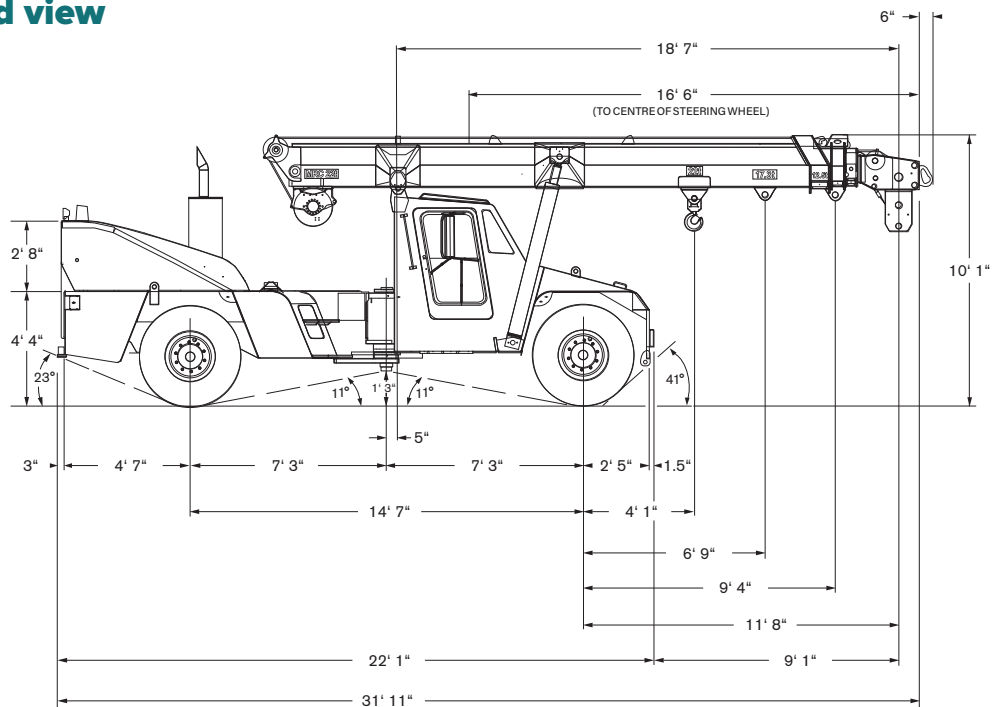


# DIMENSIONS / AREA OF OPERATION

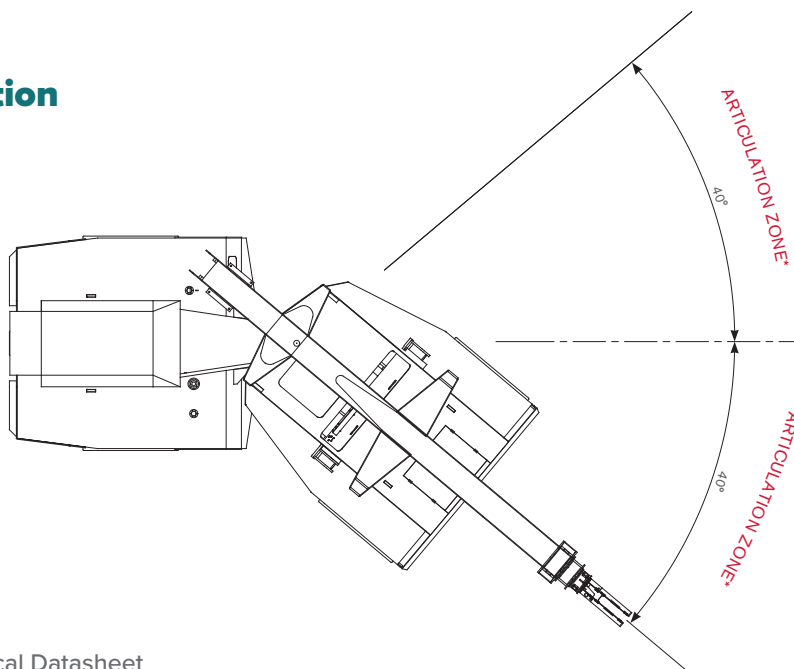
## Plan view



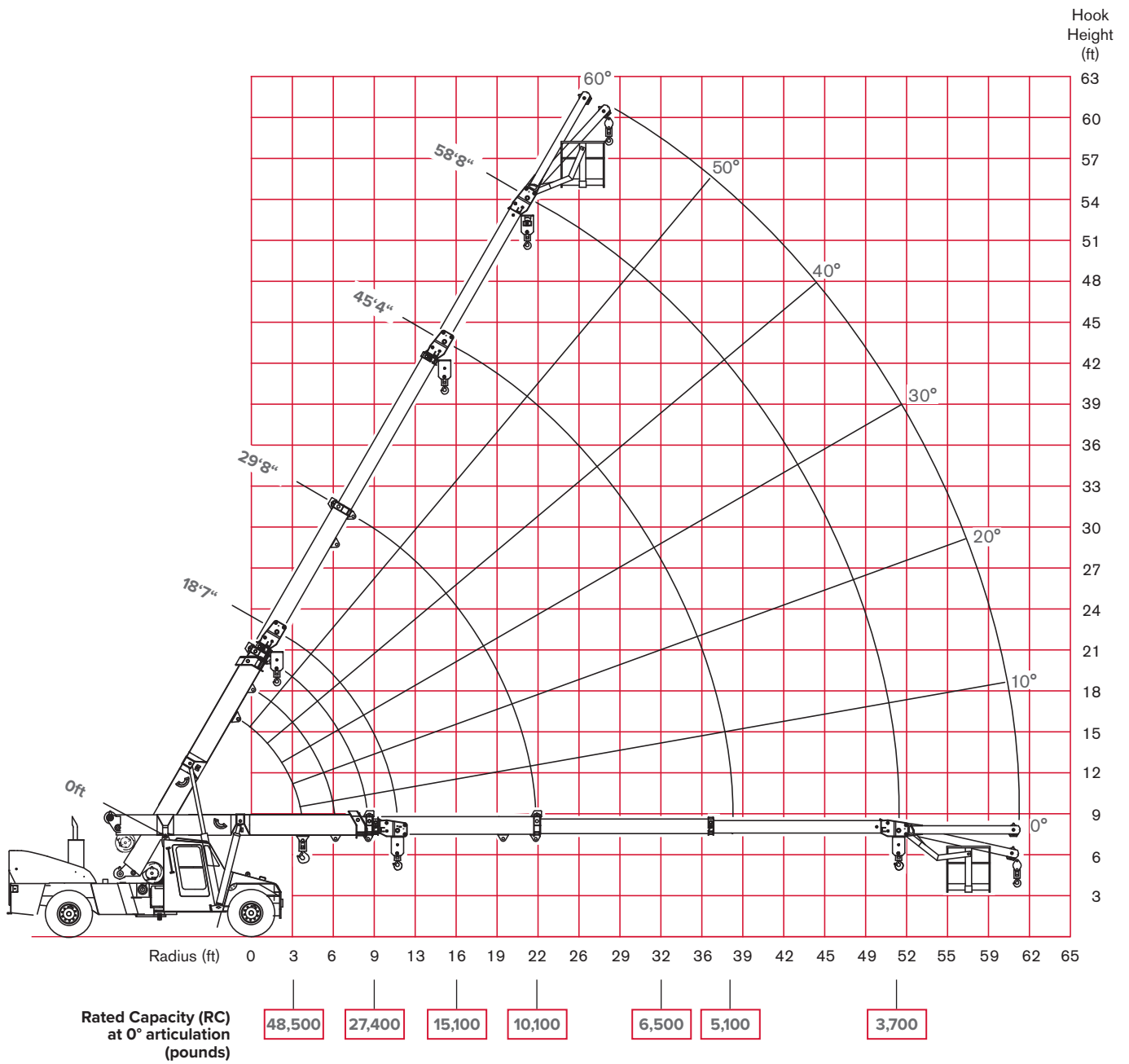
## Right hand view



## Area of operation



# RADIUS LOAD CHART



NOTE: Rated Capacity values shown are for the Pick and Carry Chart.

# LOAD CHART

## RATED CAPACITY CHART - FALL BLOCK

RADIUS	BOOM LENGTH (ft)																PITCH 0°				ROLL 0°				
	18'7"	19'8"	21'4"	23'0"	24'7"	26'2"	27'10"	29'6"	31'2"	32'9"	34'5"	36'1"	37'8"	39'4"	41'	42'7"	44'3"	45'5"							
5'3"	35200	35200	33800	32600																					
	35200	35200	33800	32600																					
	48	51	54	57																					
6'6"	35200	35200	35200	34300	33000	32100																			
	35200	35200	35200	34300	33000	32100																			
	42	46	50	53	56	58																			
8'2"	32100	32000	32000	32000	31900	31400	30200	29100																	
	28400	28400	28400	28300	28300	28300	28300	28200																	
	34	39	44	48	51	54	56	58																	
9'10"	26400	26400	26400	26400	26300	26300	26300	26300	26200	24500															
	23300	23300	23300	23300	23300	23200	23200	23200	23200	23200															
	25	31	37	42	46	49	52	55	57	59															
11'5"	22300	22300	22300	22300	22300	22300	22200	22200	22200	22200	20800	17900													
	19700	19800	19700	19700	19700	19700	19700	19600	19600	19600	19600	17900													
	8	20	29	36	41	45	48	51	53	55	57	59													
13'1"	21900	19800	19400	19200	19200	19200	19200	19200	19100	19100	16700	15500	14900												
	19200	17500	17000	17000	16900	16900	16900	16900	16900	16900	16900	15500	14900												
	(11'8")	(12'9")	19	28	35	39	43	47	49	52	54	56	57	59											
14'9"			17400	16900	16900	16900	16900	16800	16800	16800	16800	15600	14500	13900	13400	13000									
			15300	14800	14800	14800	14800	14800	14800	14800	14800	14800	14500	13900	13400	13000									
			(14'5")	18	27	34	38	42	45	48	50	52	54	56	58	59									
16'4"				15400	15100	15100	15100	14900	14900	14900	14900	14600	13600	13100	12500	12100	11700	11400							
				13500	13200	13200	13200	13200	13200	13200	13100	13100	13100	13100	12500	12100	11700	11400							
				(16'1")	18	27	33	37	41	44	47	49	51	53	55	56	58	59							
19'8"					13700	12400	12200	12200	12200	12200	12200	12100	12100	11600	11100	10800	10300	10100							
					12100	10900	10600	10600	10600	10600	10600	10600	10500	10500	10500	10500	10300	10100							
					(17'8")	(19'4")	17	25	31	35	39	42	45	47	49	51	53	54							
23'0"							11300	10300	10100	10100	10100	10100	10100	10100	10000	9700	9300	8800							
							9900	9000	8800	8800	8800	8800	8800	8800	8800	8800	8800								
							(21'0")	(22'7")	16	24	29	34	37	40	43	45	47	48							
26'3"									9400	8800	8500	8500	8500	8500	8500	8400	8100	7900							
									8200	7600	7400	7400	7400	7400	7400	7400	7400								
									(24'3")	(25'11")	15	23	28	32	36	38	41	43							
29'6"											8100	7400	7400	7400	7400	7400	7200								
											7000	6500	6300	6300	6300	6300	6300								
											(27'6")	(29'2")	15	22	27	31	34	36							
32'9"													7000	6600	6500	6500	6500								
													6000	5500	5500	5500	5500								
													(30'10")	(32'6")	14	21	26	29							
36'1"																									
38'6"																									

### KEY:

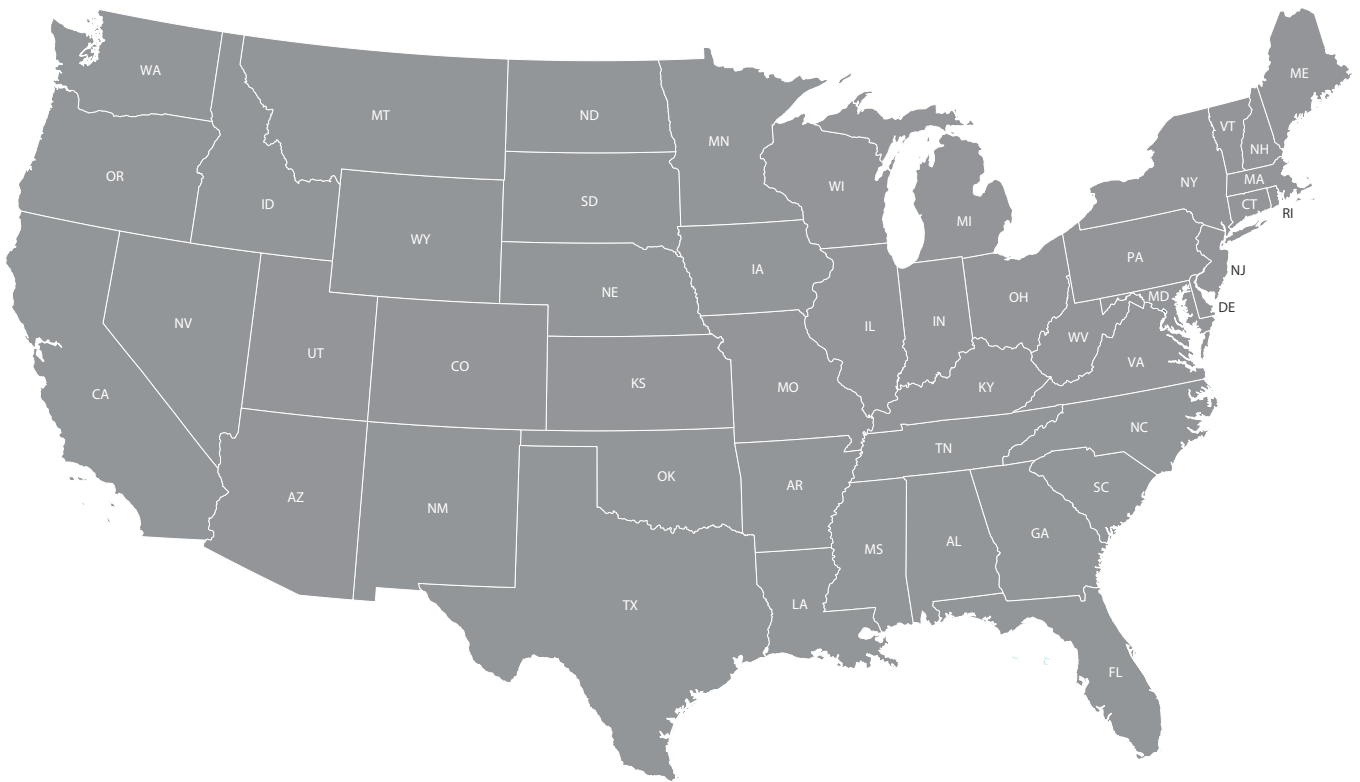
- RC (lb) AT 0 DEG ARTICULATION
- RC (lb) AT FULL ARTICULATION
- BOOM ANGLE OR (RADIUS AT 0 DEG BOOM ANGLE)

"Weight of slings & hook block to be added to load  
Read and understand warning notes before operating crane"



**This page intentionally left blank**

# OUR LOCATIONS



## Josh Lawrence

Regional Sales Manager

**E:** Josh.Lawrence@terex.com

**T:** +1 (910) 920-6146

## Wilmington (Americas Head Office)

Terex Cranes Americas  
3147 South 17th Street Suite 100  
Wilmington, NC 28412

**Tel:** +1 910 395 8501

**Email:** franna@terex.com

**Services:** Manufacturing, Sales, Service, Parts

## Brisbane (Global Head Office)

Terex Australia Pty Ltd  
585 Curtin Avenue East (PO Box 1396)  
Eagle Farm QLD 4009, Australia

**Tel:** +61 7 3868 9600

**Fax:** franna@terex.com

**Services:** Manufacturing, Sales, Service, Parts

The material in this document is for information only and is subject to change without notice.  
Franna<sup>®</sup> assumes no liability resulting from errors or omissions in this document, or from the use of the information contained herein.  
Due to continual product development we reserve the right to change specifications without notice. Product performance figures given in this brochure are for guidance purposes only, this information does not constitute an expressed or implied warranty or guarantee, but shows test examples. These results will vary depending on application. Photographs are for illustrative purposes only; some or all of the machines in the illustrations may be fitted with optional extras. Please check with your Dealer for details on optional extras.



[www.terex.com/franna](http://www.terex.com/franna)